

# CMC<sup>®</sup> IS THE FIRST TO OFFER...

DUAL RATED UL LISTED LUGS APPLICABLE FOR USE WITH AWG AND NOW FLEXIBLE CONDUCTOR!

## WHY TAKE A SECOND STEP BY USING A FERRULE?

- NO ADDITIONAL COMPONENTS NEEDED.
- REDUCES LABOR.
- SAVES VALUABLE TIME AND MONEY.
- PROVIDES GREATER APPLICATION FLEXIBILITY.

CMC's tried and true, dual rated lugs are now UL listed for use on flexible conductor.

CMC is first to offer the best way to meet the needs of an industry seeking to reduce its footprint, moving to the use of flexible conductor.



As with our entire cabinet line, custom configurations available upon request. Contact your local rep. at 513-860-4455 or [cmclugs.com](http://cmclugs.com)

©2022 Hubbell Incorporated.

All rights reserved. Hubbell, the Hubbell logo are registered trademarks or trademarks of Hubbell Inc. All other trademarks are the property of their respective owners. Printed in the U.S.A. | XX\_000\_00\_X

# CMC'S DUAL RATED LUGS ARE NOW UL LISTED FOR USE ON FLEXIBLE CONDUCTOR

## FREQUENTLY ASKED QUESTIONS

**What CMC lug families are UL listed for flexible conductor?**

LA, AB, PV, ABV & DLA.

**What are the cable classifications applicable?**

Cable classification G, H, I, K, & DLO rated.

**How is cable size determined?**

Typically one size smaller than the standard rated.

**Do I have to use a ferrule on the flex conductor when installing these connectors?**

No. There is no need for a second product which saves you money and time.

**Are these CMC lugs UL listed?**

YES.

**Examples of markets used in:**

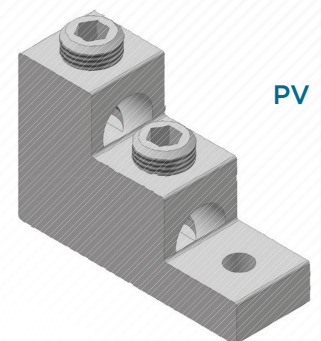
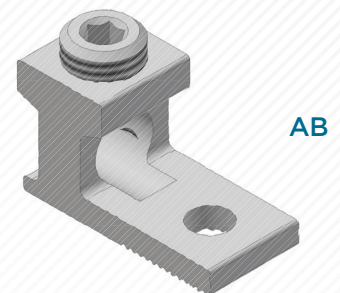
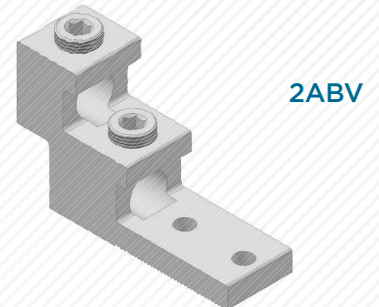
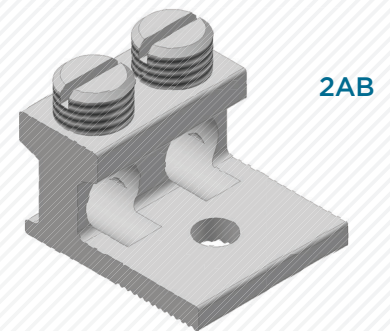
Data Centers  
Solar farms  
Oil and Gas  
Telecom  
OEM

**Examples of applications used for:**

Switchgear  
Power Distribution Units  
Metering Cabinets  
Backup UPS Systems



For technical information regarding specific applications or product details, call 513-860-4455 or see our OEM Products Catalog on our website: [www.cmclugs.com](http://www.cmclugs.com)



As with our entire cabinet line, custom configurations available upon request. Contact your local rep. at 513-860-4455 or [cmclugs.com](http://cmclugs.com)

©2022 Hubbell Incorporated.  
All rights reserved. Hubbell, the Hubbell logo are registered trademarks or trademarks of Hubbell Inc. All other trademarks are the property of their respective owners.  
Printed in the U.S.A. | XX\_000\_00\_X